

LUCIDE

## GENERAL SPECIFICATIONS



### RECOMMENDED LUCIDE LIGHT SOURCE

**49008/05/60**

Light source dimmable : No

Light source incl. : Yes

### General

**Dimensions LxWxH :** 18.7 cm x 15 cm x 50 cm

**Height minimum :** 50 cm

**Height maximum :** 50 cm

**Dimensions shade LxWxH :**  $\varnothing$ 6.3 cm x 7.2 cm

**Main material :** Stainless steel

**Ceiling rose material :** Stainless steel

**Color :** Satin chrome+Black

**Style :** Modern

**Shape :** Round

**Weight :** 0.88kg

**Warranty :** 2 years

### Product specifications

**Dimmable :** No

**Light direction :** Downlight

**Adjustable in height :** No

**Directional :** Directional

**Cable :** No

**Cable length :** No

**Sensor :** Without sensor

**Control :** Light Switch Control

**IP-Class :** 44

**Electric class :** 1

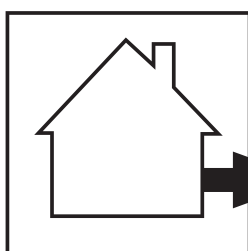
**Light source including :** Yes

**Lamp socket :** GU10

**Light source number :** 1

**Power requirements :** 220-240V~50Hz

**Bulb type & maximum wattage :** GU10 LED 5W



IP44

IP54

IP65

IP67

Explanation of IP numbers for degrees of protection, see safety instruction manual in the box.

For more specifications of this product please visit

[www.lucide.com](http://www.lucide.com)

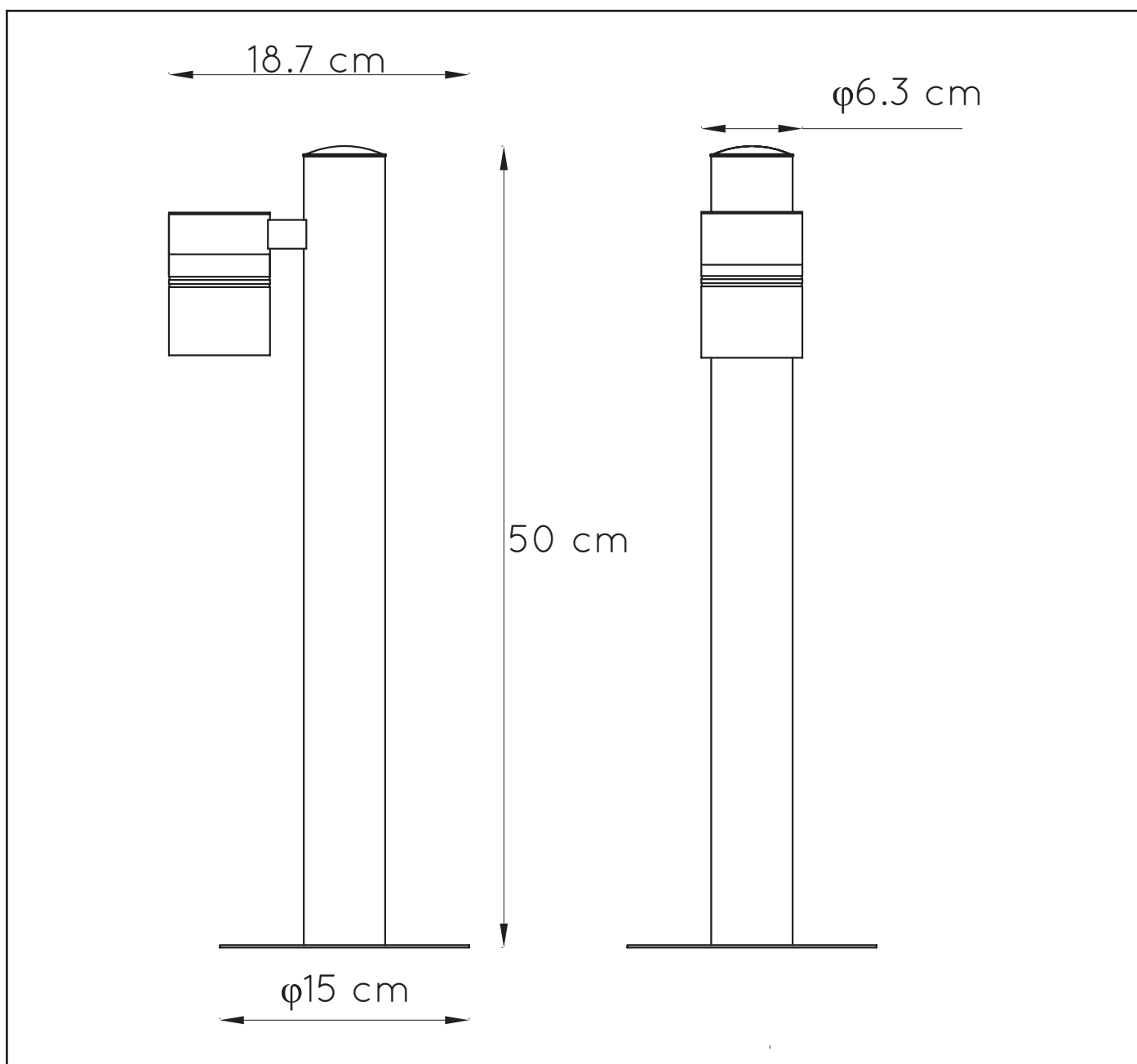
## ARNE-LED

Item number :14867/49/12

EAN code : 5411212143914

Item number :14867/49/30

EAN code : 5411212143921

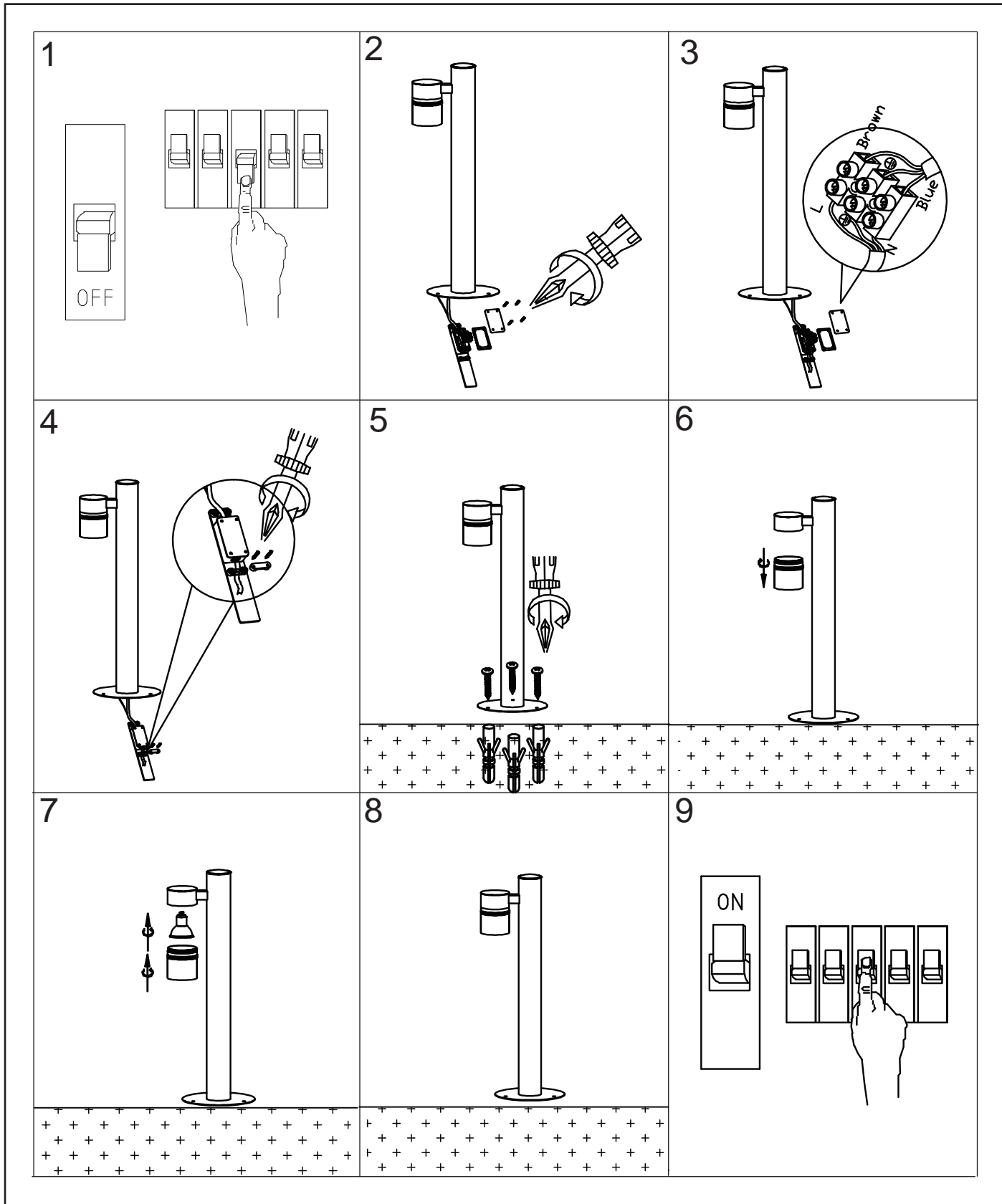


For more specifications, dimensions please visit

[www.lucide.com](http://www.lucide.com)

# LUCIDE

## INSTALLATION DRAWING SPECIFICATIONS



Dit product bevat een lichtbron van energie-efficiëntieklasse A+  
Ce produit contient une source lumineuse de classe énergétique A+  
This product contains a light source of energy efficiency class A+  
Dieses Produkt enthält eine Lichtquelle der Energieeffizienzklasse A+  
Ten produkt zawiera ród o wiat a o klasie efektywno ci energetycznej A+