

LUCIDE

GENERAL SPECIFICATIONS



**item number : 79199/32/61**

EAN code : 5411212791399

**OTIS LED**

### General

**Dimensions LxWxH :** 39 cm x 39 cm x 6.5 cm

**Main material :** MS, Aluminum

**Color :** White

**Shape :** Circular

**Weight :** 0.74 kg

**Warranty :** 3 years

### Product specifications

**Dimmable :** No

**Light direction :** Around (Diffuse)

**Directional :** Not Directional

**Cable :** No

**Sensor :** Without Sensor

**Control :** Light Switch Control

**IP-Class :** 20

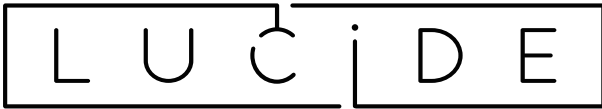
**Electric class :** 1

**Light source including ?:** Integrated LED

**Power requirements :** 220-240V~50Hz

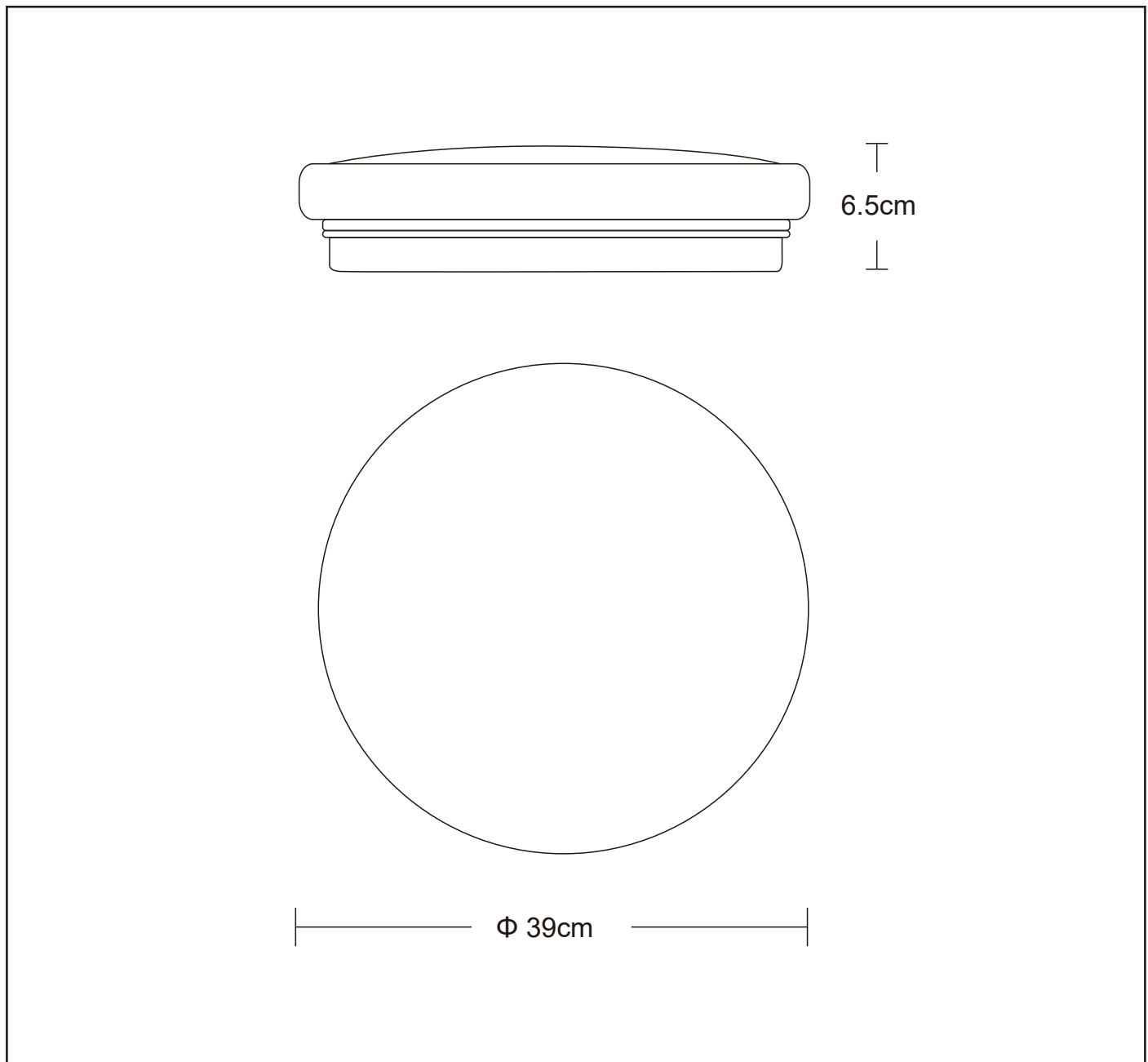
For more specifications of this product please visit

**[www.lucide.com](http://www.lucide.com)**



## OTIS LED

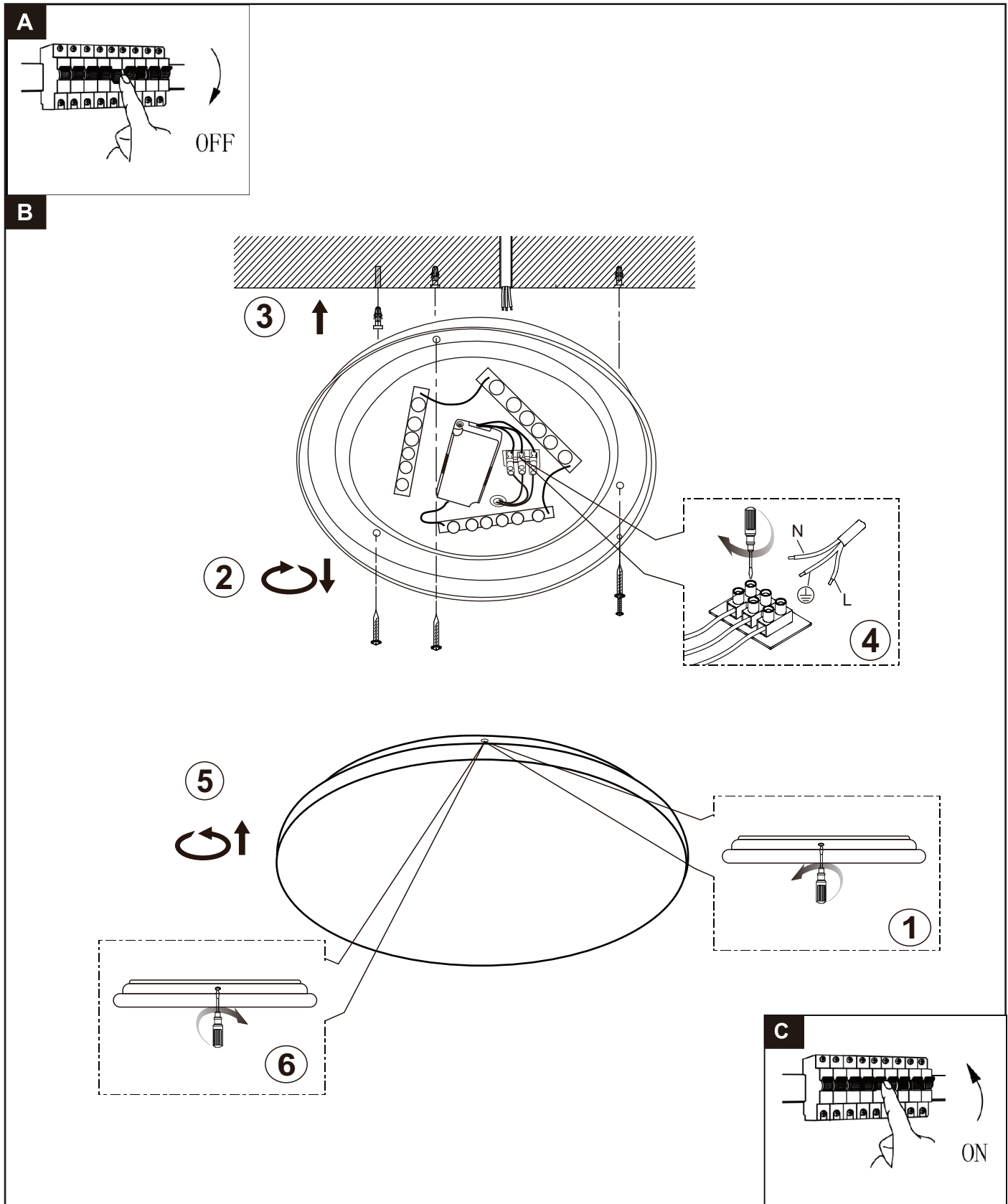
Item number : 79199/32/61  
EAN code : 5411212791399



For more specifications, dimensions please visit  
[www.lucide.com](http://www.lucide.com)

# LUCIDE

## INSTALLATION DRAWING SPECIFICATIONS



Dit product bevat een lichtbron van energie-efficiëntieklasse A  
Ce produit contient une source lumineuse de classe énergétique A  
This product contains a light source of energy efficiency class A  
Dieses Produkt enthält eine Lichtquelle der Energieeffizienzklasse A  
Ten produkt zawiera ród o wiat a o klasie efektywno ci energetycznej A