



**RECOMMENDED LUCIDE  
LIGHT SOURCE**

**49008/05/60**  
Light source dimmable : No  
Light source incl. : Yes

**General**

**Dimensions LxWxH :** 25 cm x 25 cm x 16 cm  
**Heigh minimum :** -  
**Heigh maximum :** 16 cm  
**Dimensions shade LxWxH :**  $\phi$  6.8\*H8  
**Main material :** Metal  
**Ceiling rose material :** Metal  
**Color :** Red copper  
**Style :** Classical  
**Shape :** Round  
**Weight :** 0.90Kg  
**Warranty :** 2 years

**Product specifications**

**Dimmable :** No  
**Light direction :** up and down  
**Adjustable in heigh :** No  
(Before Installation)  
**Directional :** Yes  
**Cable :** No, Cable On Product  
**Cable length :** -  
**Sensor :** Without Sensor  
**Control :** Light Switch Control  
**IP-Class :** 20  
**Electric class :** 1  
**Light source including ?:** Yes  
**Lamp socket :** GU10  
**Light source number :** 3  
**Power requirements :** 220-240V~50Hz  
**Bulb type & maximum wattage :** LED GU10 Max. 5W

For more specifications of this product please visit  
[www.lucide.com](http://www.lucide.com)

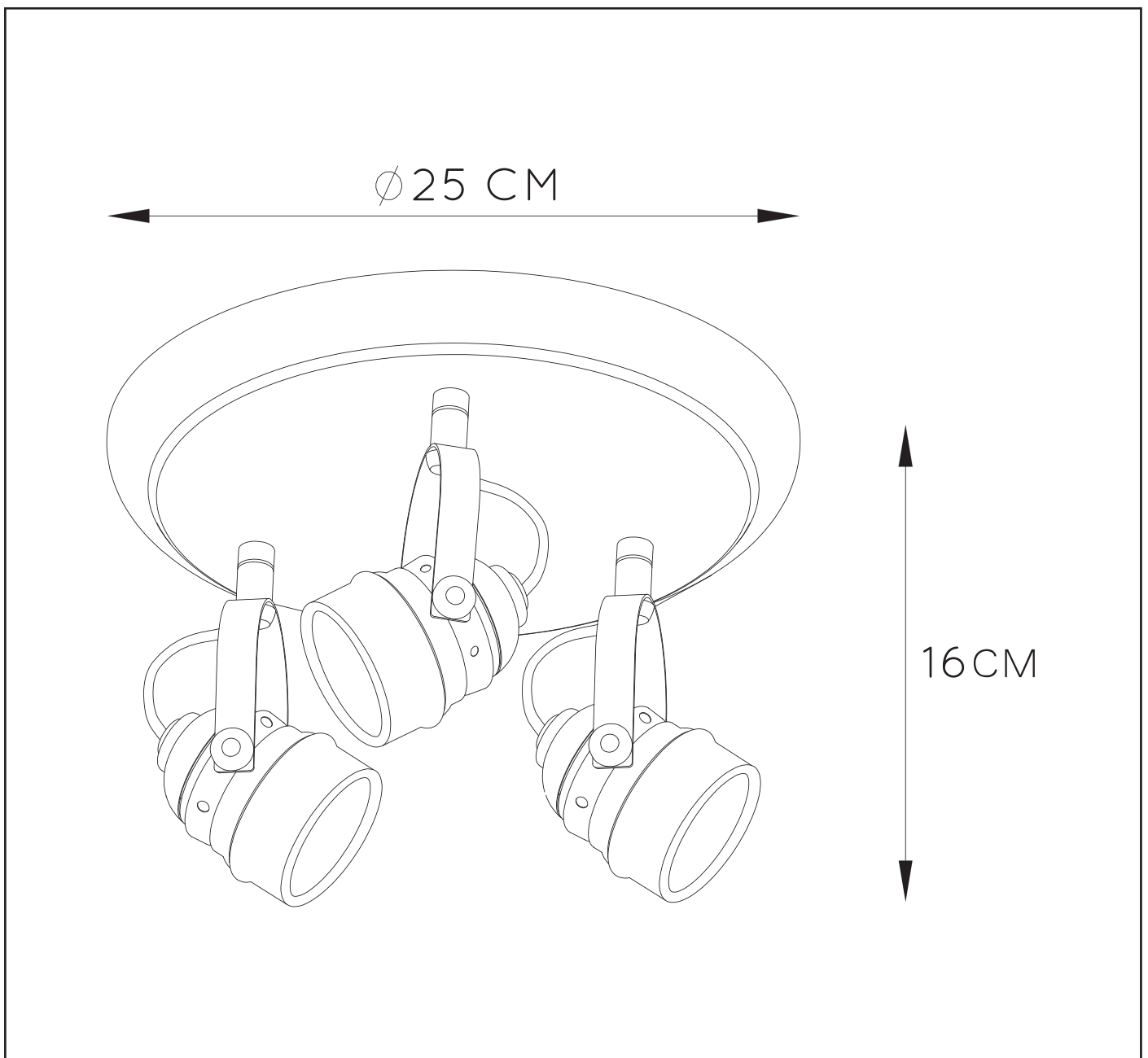
LUCIDE

TECHNICAL DRAWING & DIMENSIONS

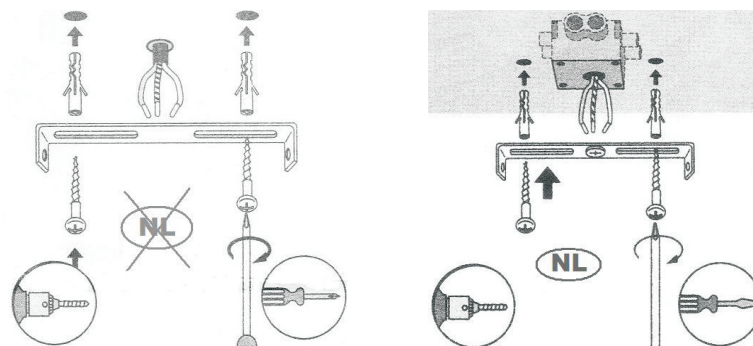
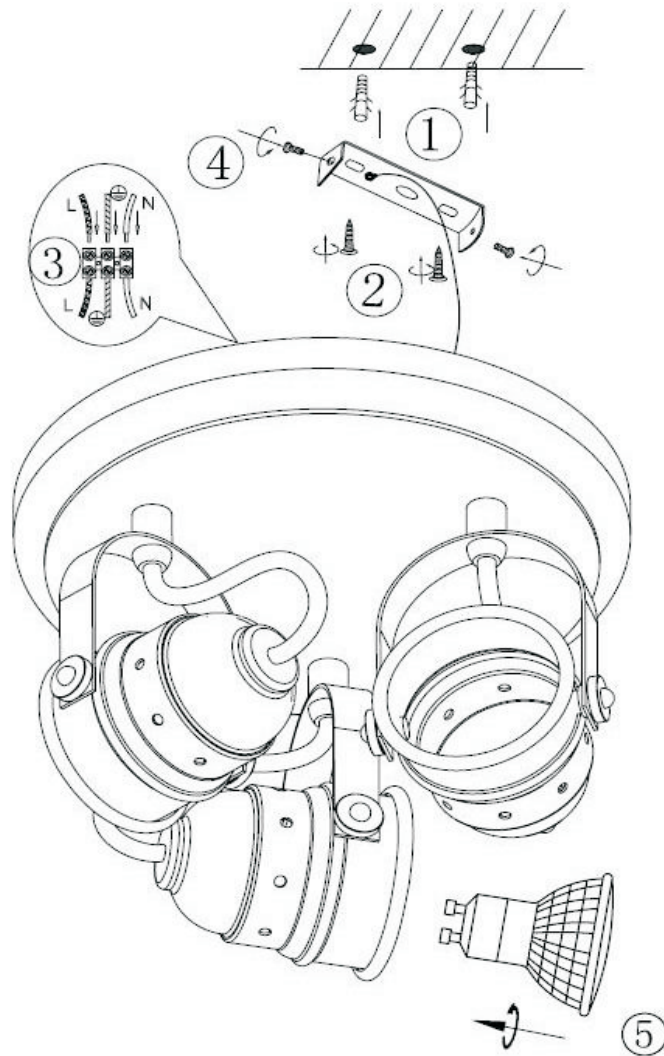
## CIGAL LED

Item number :77974/15/17

EAN code : 5411212770615



For more specifications, dimensions please visit  
[www.lucide.com](http://www.lucide.com)



Dit product bevat een lichtbron van energie-efficiëntieklasse A+  
 Ce produit contient une source lumineuse de classe énergétique A+  
 This product contains a light source of energy efficiency class A+  
 Dieses Produkt enthält eine Lichtquelle der Energieeffizienzklasse A+  
 Ten produkt zawiera źródło światła o klasie efektywności energetycznej A+