

LUCIDE

GENERAL SPECIFICATIONS



**item number:46100/80/30**

EAN code:5411212460660

**TALOWE**

## General

**Dimensions LxWxH:** Ø80×13cm

**Height minimum:-**

**Height maximum:** 13cm

**Dimensions shade LxWxH:** Ø80×13cm

**Main material:** Aluminium

**Ceiling rose material:** Aluminium

**Color:** Black + Acrylic

**Style:** Modern

**Shape :** Round

**Weight :** 5.35kg

**Warranty :** 3 years

## Product specifications

**Dimmable :** Yes

**Light direction :** Around (Diffuse)

**Adjustable in height :-**  
(Before Installation)

**Directional:** Not Directional

**Cable:-**

**Cable length :-**

**Sensor :** Without Sensor

**Control:** Light Switch Control

**IP-Class :** 20

**Electric class :** 1

**Light source including ?:** Yes

**Lamp socket :-**

**Light source number :** 360

**Power requirements :** 220-240V~50Hz

**Bulb type & maximum wattage :** 80W LED

For more specifications of this product please visit

**[www.lucide.com](http://www.lucide.com)**

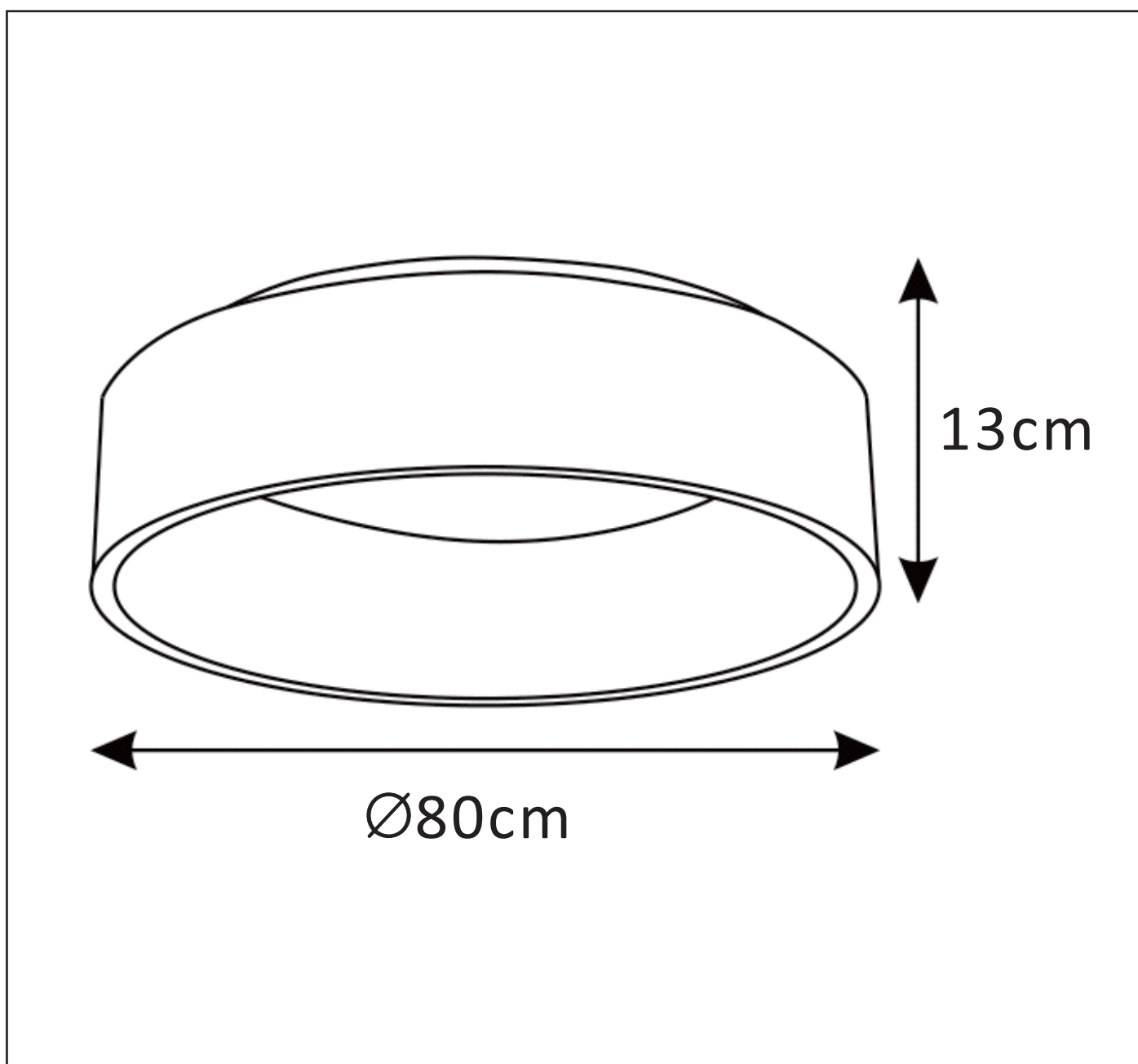
LUCIDE

TECHNICAL DRAWING & DIMENSIONS

## TALOWE

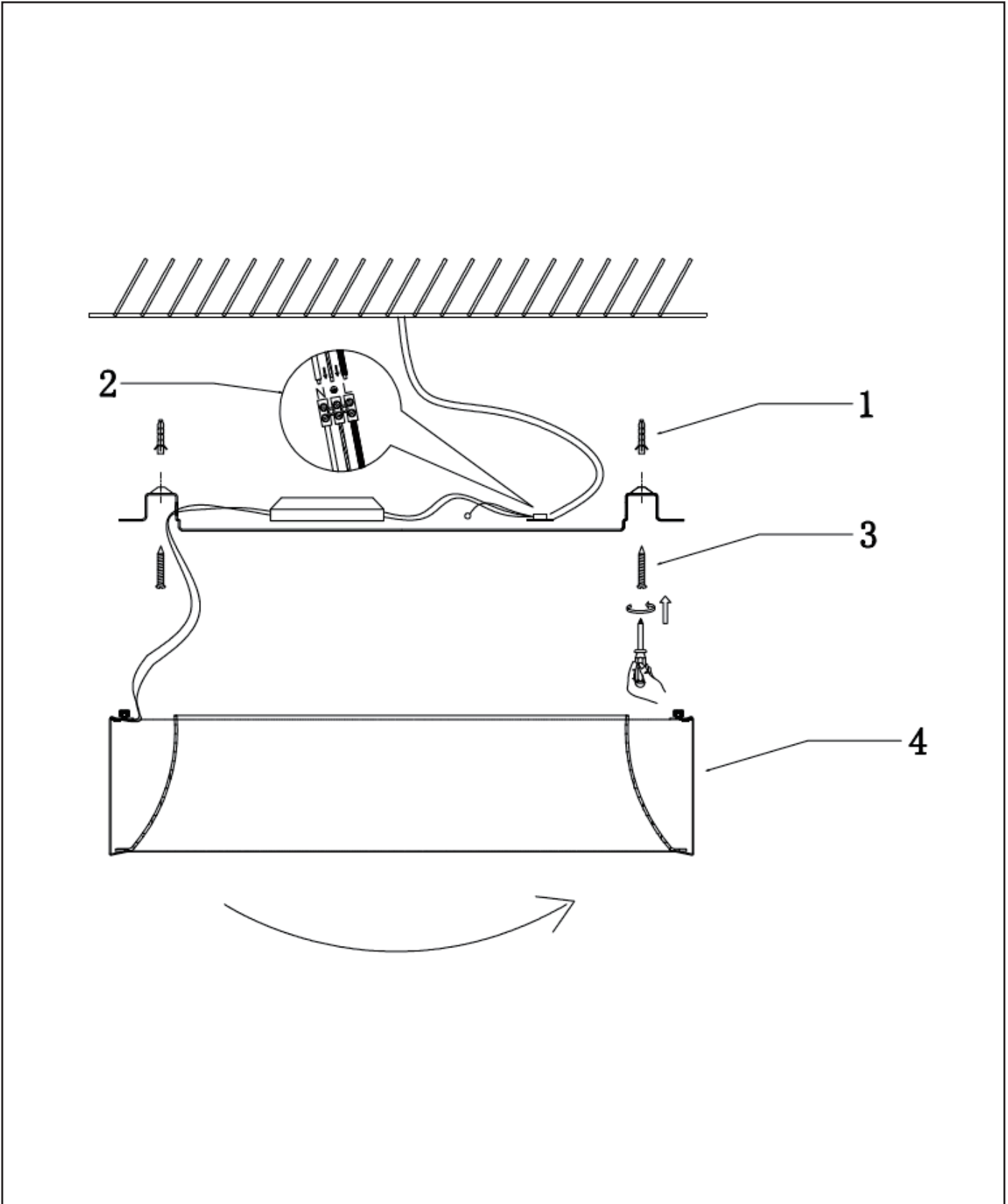
Item number:46100/80/30

EAN code:5411212460660



For more specifications of this product please visit

[www.lucide.com](http://www.lucide.com)



Dit product bevat een lichtbron van energie-efficiëntieklasse G.  
 Ce produit contient une source lumineuse de classe énergétique G.  
 This product contains a light source of energy efficiency class G.  
 Dieses Produkt enthält eine Lichtquelle der Energieeffizienzklasse G.  
 Ten produkt zawiera źródło światła o klasie efektywności energetycznej G.